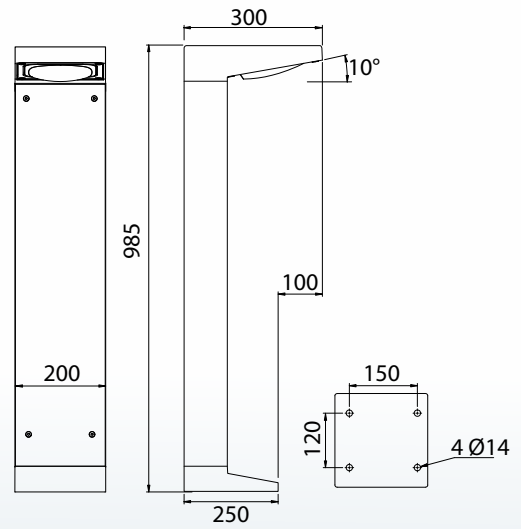


# TAİGA

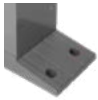
Design: ECLATEC



## DESCRIPTION

<b>Product name</b>	TAİGA
<b>Housing</b>	Lighting head and module in die-cast aluminium Aluminium profile 200 x 100 mm tube
<b>Bowl</b>	Polycarbonate
<b>Finish</b>	Polyester powder coating, any colour available
<b>Impact protection</b>	IK10
<b>Ingress Protection</b>	IP 66 Module
<b>Dimensions (L x l x h)</b>	200 x 316 x 985 mm
<b>Weight</b>	23kg
<b>Materials used</b>	Steel 56%, Aluminium 39%, Plastic 2%, Other 3%
<b>Electrical class</b>	Class I or II

## INSTALLATION



Cast iron base  
Internal fixing using 4 anchor rods, Ø 12 mm

## MAINTENANCE

**Opening and closing** Removable lighting head  
Access to the equipment after removal of the profiled tube

## OPTIONS

	TAİGA
<b>At the lighting point</b>	
Adjustable current (driver or bottom of the pole)	✓
Dimming (driver, bottom of the pole or Bluetooth)	✓
Built-in detection	✓
Remote detection	✓
DALI protocol	✓
Smart-Ready® configuration (ZD4i)	✓
<b>In a local network</b>	
Communicating detection with pilot wire	✓
Wireless communication sensing	✓
<b>Remote management</b>	
WIZARD CMS system (MCD module)	✓

Details of the functions available on pages 272 to 279 and in the LED synopsis located on under the flap on the front cover

## SOURCES & PHOTOMETRIC DISTRIBUTIONS

	TAİGA
<b>Sources</b>	BLS 8
<b>Colour temperature</b>	2400 K, 2700 K, 3000 K, 4000 K
<b>Optical Distribution</b>	QUADRALENS: EAH, ERS
<b>Backlight shield option</b>	Medium or strong cut-off
<b>Power supply current</b>	Adjustable up to 700 mA <sup>(1)</sup>

(1) >700mA possible on request  
E/L/P: Lighting/Luminance/Projection, R/C/T/F/P: Road/Circular/Pavement/Beam/Zebra crossing, E/S/L/A/D/G: Narrow/Standard/Wide/Asymmetrical/Right/Left

