

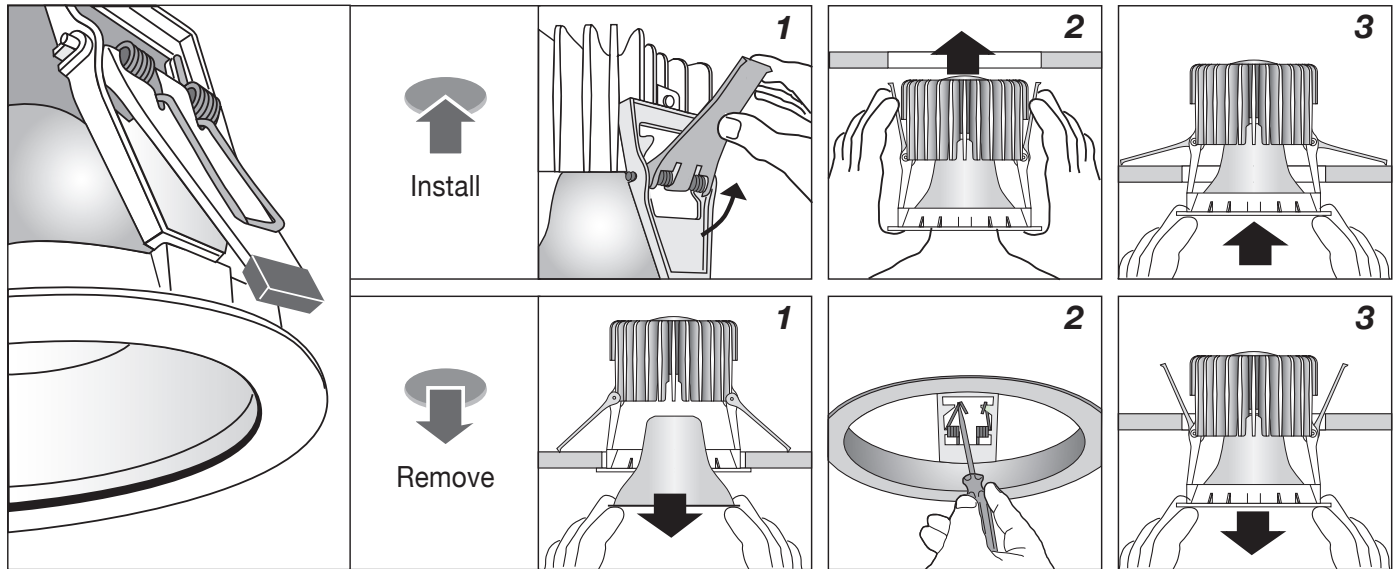
DOT Downlights INSTALLATION INSTRUCTIONS



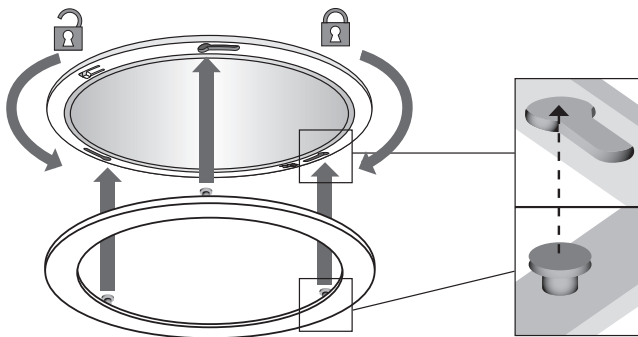
LED Series Downlights

IP 20 CE

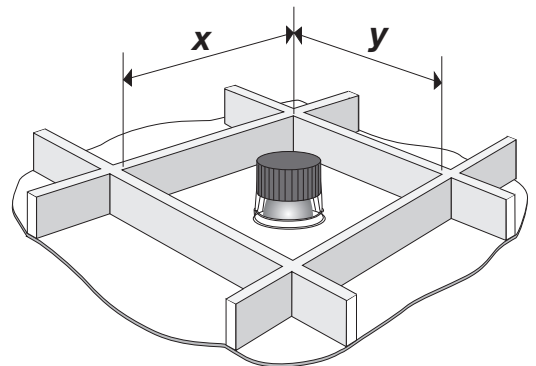
DOT **LED**



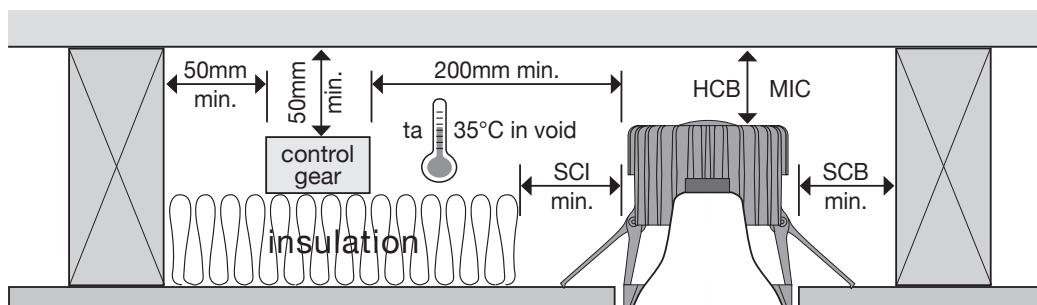
Accessories



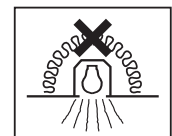
$x \times y = 0.25 \text{ M}^2 \text{ min.}$



Building Element Clearances



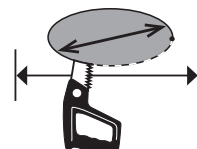
Luminaire not suitable for covering with thermally insulated material.



Note: Remote Control Gear must not be covered by insulation.

For Specific Driver Details Refer:

- TRIDONIC = www.tridonic.com
- DIGINET = www.dignet.net.au
- TCl = www.tcisaronno.com



For HCB, SCB and SCI dimensions – refer overleaf.

HCB = Minimum Height Clearance Building Element

SCB = Minimum Side Clearance Building Element

SCI = Minimum Side Clearance Insulation

MIC = Minimum Insulation Clearance

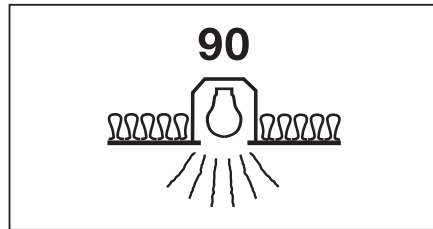
DOT LED Series INSTALLATION INSTRUCTIONS

ROHS Compliant
Supply Voltage: 220/240V 50Hz AC



CLASSIFICATIONS
FOR INDOOR USE ONLY

CA90 LUMINAIRES



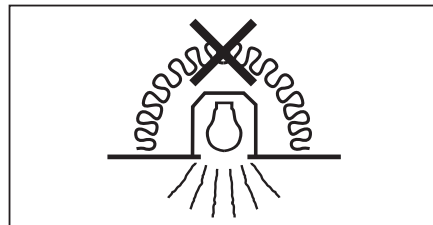
Risk of fire – Building insulation must not cover this luminaire.

Building insulation may abut the luminaire.

Required clearance from structural members and building elements.

HCB = 50mm SCB = 50mm
MIC = 50mm SCI = 0mm (Abutted)

DO NOT COVER LUMINAIRES



Risk of fire – Building insulation must not cover this luminaire.

Required clearance from structural members and building elements.

HCB = 50mm SCB = 50mm
SCI = 50mm

WARNING (New Zealand Only)

This luminaire is not suitable for installation in locations where the thermal insulation is present, or may reasonably be expected to be installed in the future, or where there is a likelihood of other combustible material, e.g. leaves or vermin debris, etc. collecting on or around the luminaire. It is not suitable for domestic installations or installation in residential areas of non-domestic installations (Residential institutions, Hotels, boarding houses, hospitals, accommodation houses, motels, hostels and the like).

| | | | | | | | | | |
|--|-------------|------------------|-------------|-----------|--|--|--|--|-----------------------|
| | Wattage | | | | | | | | ASNZS 60598.2.2 :2016 |
| | Excel XL | Performance P | Colour C | Base B | | | | | |

Recessed Downlight – Round

| | | | | | | | | | |
|-------------|------|------|---|------|-----|-----|------|-------|--------------|
| DOT 9124/8 | 10.0 | 9.8 | – | – | 92 | 0.7 | 0.10 | IP 20 | CA90 |
| DOT 9134/8 | 14.0 | 13.9 | – | 15.1 | 92 | 0.7 | 0.10 | IP 20 | CA90 |
| DOT 9154/8 | 21.0 | 20.3 | – | 21.7 | 92 | 0.7 | 0.10 | IP 20 | CA90 |
| DOT 9724/8 | 10.1 | 10.3 | – | – | 140 | 1.1 | 0.25 | IP20 | CA90 |
| DOT 9734/8 | 13.8 | 13.6 | – | 14.3 | 140 | 1.1 | 0.25 | IP20 | CA90 |
| DOT 9754/8 | 19.2 | 19.4 | – | – | 140 | 1.1 | 0.25 | IP20 | CA90 |
| DOT 9774/8 | 27.1 | 26.9 | – | 30.0 | 140 | 1.1 | 0.25 | IP20 | CA90 |
| DOT 9794/8 | 34.9 | 34.6 | – | – | 140 | 1.1 | 0.25 | IP20 | CA90 |
| DOT 97104/8 | 40.3 | 40.5 | – | 43.0 | 140 | 1.1 | 0.25 | IP20 | Do not cover |
| DOT 97144/8 | 55.1 | 56.0 | – | – | 140 | 1.1 | 0.25 | IP20 | |
| DOT 9934/8 | 13.5 | 13.5 | – | – | 175 | 1.4 | 0.28 | IP20 | CA90 |
| DOT 9954/8 | 19.0 | 19.0 | – | – | 175 | 1.4 | 0.28 | IP20 | CA90 |
| DOT 9974/8 | 27.1 | 27.1 | – | – | 175 | 1.4 | 0.28 | IP20 | CA90 |
| DOT 9994/8 | 33.6 | 33.6 | – | – | 175 | 1.4 | 0.28 | IP20 | CA90 |
| DOT 99104/8 | 38.9 | 38.9 | – | – | 175 | 1.4 | 0.28 | IP20 | CA90 |
| DOT 99144/8 | 53.5 | 53.5 | – | – | 175 | 1.4 | 0.28 | IP20 | CA90 |
| DOT 99174/8 | 68.1 | 68.1 | – | – | 175 | 1.4 | 0.28 | IP20 | CA90 |

Recessed Downlight – Square

| | | | | | | | | | |
|-----------|---|------|------|---|---------|-----|------|-------|------|
| DOT 9438 | – | 15.2 | 15.2 | – | 102x102 | 0.7 | 0.19 | IP 20 | CA90 |
| DOT 9458 | – | 21.8 | 21.7 | – | 102x102 | 0.7 | 0.19 | IP 20 | CA90 |
| DOT 9828 | – | 10.3 | 10.3 | – | 146x146 | 1.0 | 0.19 | IP 20 | CA90 |
| DOT 9838 | – | 13.8 | 13.8 | – | 146x146 | 1.0 | 0.19 | IP 20 | CA90 |
| DOT 9858 | – | 19.4 | 19.4 | – | 146x146 | 1.0 | 0.19 | IP 20 | CA90 |
| DOT 9878 | – | 26.9 | 26.9 | – | 146x146 | 1.0 | 0.19 | IP 20 | CA90 |
| DOT 9898 | – | 34.6 | 34.6 | – | 146x146 | 1.0 | 0.19 | IP 20 | CA90 |
| DOT 98108 | – | 40.5 | 40.5 | – | 146x146 | 1.0 | 0.19 | IP 20 | CA90 |
| DOT 98148 | – | 56.0 | 56.0 | – | 146x146 | 1.0 | 0.19 | IP 20 | CA90 |

TrimLess Downlight

| | | | | | | | | | |
|--------------|---|------|---|---|---------|-----|------|-------|------|
| DOT 9134TL/8 | – | 15.1 | – | – | 155x155 | 1.3 | 0.10 | IP 20 | CA90 |
| DOT 9154TL/8 | – | 21.7 | – | – | 155x155 | 1.4 | 0.10 | IP 20 | CA90 |

Wallwasher Downlight

| | | | | | | | | | |
|------------|---|------|---|---|-----|-----|------|------|------|
| DOT 9938W | – | 14.0 | – | – | 175 | 1.4 | 0.28 | IP20 | CA90 |
| DOT 9958W | – | 19.3 | – | – | 175 | 1.4 | 0.28 | IP20 | CA90 |
| DOT 9978W | – | 27.2 | – | – | 175 | 1.4 | 0.28 | IP20 | CA90 |
| DOT 99108W | – | 41.0 | – | – | 175 | 1.4 | 0.28 | IP20 | CA90 |

Surface Mounted Downlight – Round

| | | | | | | | | | |
|---------------|------|------|---|------|---|-----|---|-------|-----|
| DOT 9124SM/8 | 10.0 | 9.8 | – | – | – | 0.8 | – | IP 20 | N/A |
| DOT 9134SM/8 | 14.0 | 13.9 | – | 15.1 | – | 0.8 | – | IP 20 | N/A |
| DOT 9154SM/8 | 21.0 | 20.3 | – | 21.7 | – | 0.8 | – | IP 20 | N/A |
| DOT 9724SM/8 | – | – | – | 10.0 | – | 1.6 | – | IP20 | N/A |
| DOT 9734SM/8 | 13.8 | 13.6 | – | 14.3 | – | 1.6 | – | IP20 | N/A |
| DOT 9754SM/8 | 19.2 | 19.4 | – | – | – | 1.6 | – | IP20 | N/A |
| DOT 9774SM/8 | 27.1 | 26.9 | – | 30.0 | – | 1.6 | – | IP20 | N/A |
| DOT 9794SM/8 | 34.9 | 34.6 | – | – | – | 1.6 | – | IP20 | N/A |
| DOT 9934SM/8 | 13.5 | 13.5 | – | – | – | 1.7 | – | IP20 | N/A |
| DOT 9954SM/8 | 19.0 | 19.0 | – | – | – | 1.7 | – | IP20 | N/A |
| DOT 9974SM/8 | 27.1 | 27.1 | – | – | – | 1.7 | – | IP20 | N/A |
| DOT 9994SM/8 | 33.6 | 33.6 | – | – | – | 1.7 | – | IP20 | N/A |
| DOT 99104SM/8 | 38.9 | 38.9 | – | – | – | 1.7 | – | IP20 | N/A |

Surface Mounted Downlight – Square

| | | | | | | | | | |
|------------|---|------|------|---|---|-----|---|-------|-----|
| DOT 9438SM | – | 15.2 | 15.2 | – | – | 1.4 | – | IP 20 | N/A |
| DOT 9838SM | – | 13.8 | 13.8 | – | – | 1.6 | – | IP 20 | N/A |
| DOT 9858SM | – | 19.4 | 19.4 | – | – | 1.6 | – | IP 20 | N/A |
| DOT 9878SM | – | 26.9 | 26.9 | – | – | 1.6 | – | IP 20 | N/A |
| DOT 9898SM | – | 34.6 | 34.6 | – | – | 1.6 | – | IP 20 | N/A |

Suspended Downlight

| | | | | | | | | | |
|--------------|------|------|---|---|---|-----|---|-------|-----|
| DOT 9124S/8 | 10.0 | 9.8 | – | – | – | 0.8 | – | IP 20 | N/A |
| DOT 9134S/8 | 14.0 | 13.9 | – | – | – | 0.8 | – | IP 20 | N/A |
| DOT 9154S/8 | 21.0 | 20.3 | – | – | – | 0.8 | – | IP 20 | N/A |
| DOT 9724S/8 | – | – | – | – | – | 1.6 | – | IP20 | N/A |
| DOT 9734S/8 | 13.8 | 13.6 | – | – | – | 1.6 | – | IP20 | N/A |
| DOT 9754S/8 | 19.2 | 19.4 | – | – | – | 1.6 | – | IP20 | N/A |
| DOT 9774S/8 | 27.1 | 26.9 | – | – | – | 1.6 | – | IP20 | N/A |
| DOT 9794S/8 | 34.9 | 34.6 | – | – | – | 1.6 | – | IP20 | N/A |
| DOT 9934S/8 | 13.5 | 13.5 | – | – | – | 1.7 | – | IP20 | N/A |
| DOT 9954S/8 | 19.0 | 19.0 | – | – | – | 1.7 | – | IP20 | N/A |
| DOT 9974S/8 | 27.1 | 27.1 | – | – | – | 1.7 | – | IP20 | N/A |
| DOT 9994S/8 | 33.6 | 33.6 | – | – | – | 1.7 | – | IP20 | N/A |
| DOT 99104S/8 | 38.9 | 38.9 | – | – | – | 1.7 | – | IP20 | N/A |